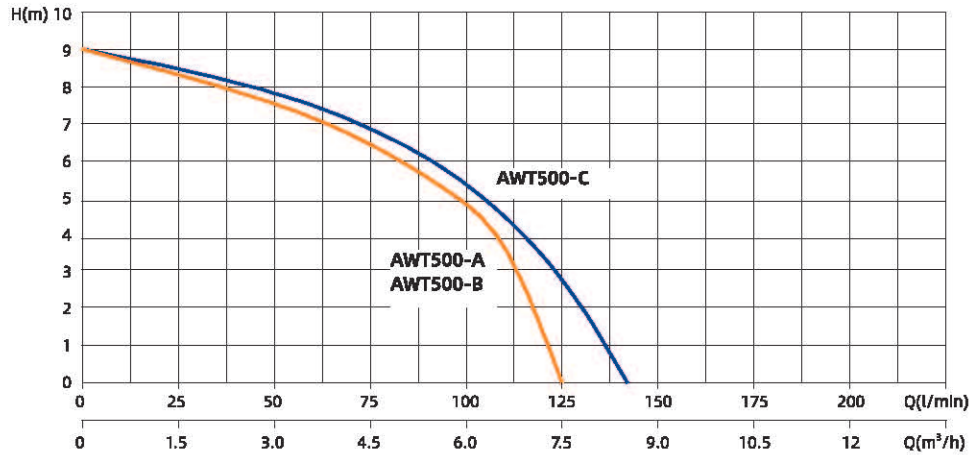
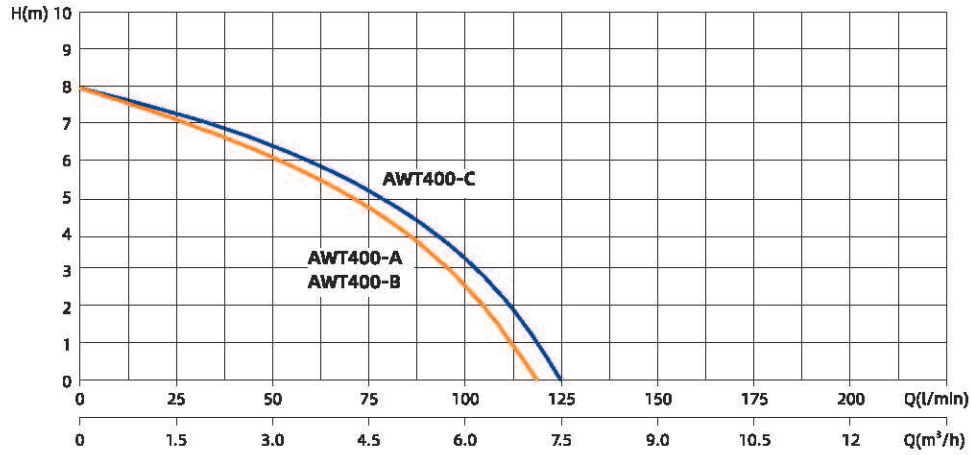


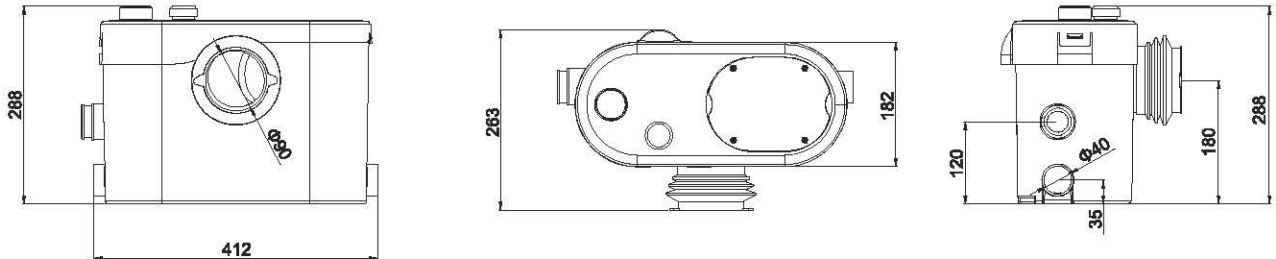
Performance Curve



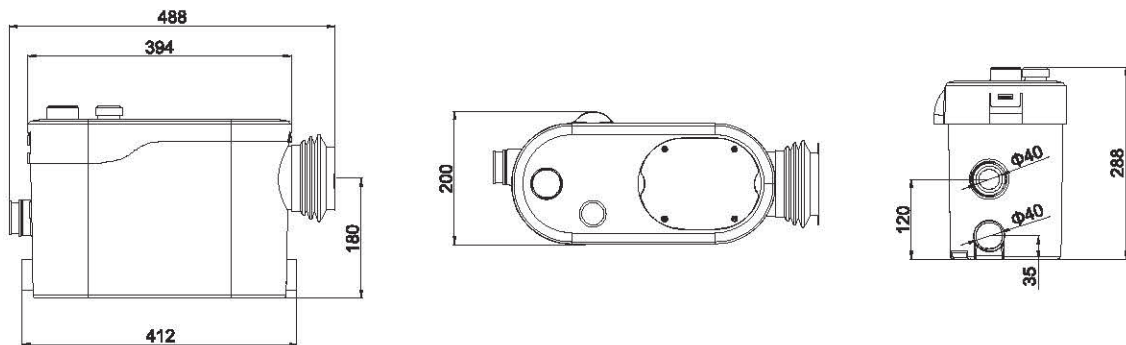
Model	Power		Max. Flow (m³/h)	Max. Head (m)	Head Range (m)	Max. Suction (m)
	kw	HP				
AWT400-A	0.4	0.54	7	8	7~0	0
AWT400-B	0.4	0.54	7	8	7~0	0
AWT400-C	0.4	0.54	7.5	8	7.5~0	0
AWT500-A	0.5	0.67	7.5	9	7.5~0	0
AWT500-B	0.5	0.67	7.5	9	7.5~0	0
AWT500-C	0.5	0.67	8	9	8~0	0

Packing Size & Weight

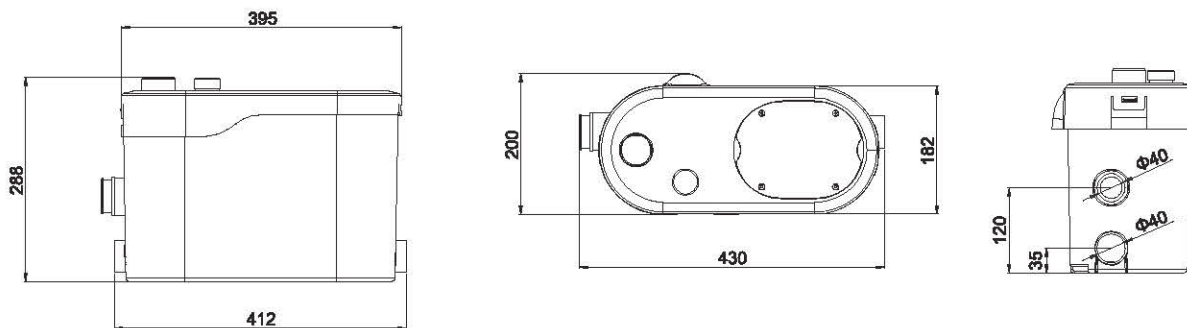
Type A



Type B



Type C



Model	DN1	DN2	N.W. (kg)
AWT400-A	1x100 3x40	23/28/32/44	6.5
AWT400-B	1x100 3x40	23/28/32/44	6.5
AWT400-C	3x40	23/28/32/44	6.5
AWT500-A	1x100 3x40	23/28/32/44	6.5
AWT500-B	1x100 3x40	23/28/32/44	6.5
AWT500-C	3x40	23/28/32/44	6.5

Packing Size & Weight

Model	Dim.(L×W×H) mm	G. W. (kg)	20' Loading Qty. (pcs)
Single-Phase			
AWT400-A	480×255×330	7.5	1548
AWT400-B	480×255×330	7.5	1548
AWT400-C	480×255×330	7.5	1548
AWT500-A	480×255×330	7.5	1548
AWT500-B	480×255×330	7.5	1548
AWT500-C	480×255×330	7.5	1548

