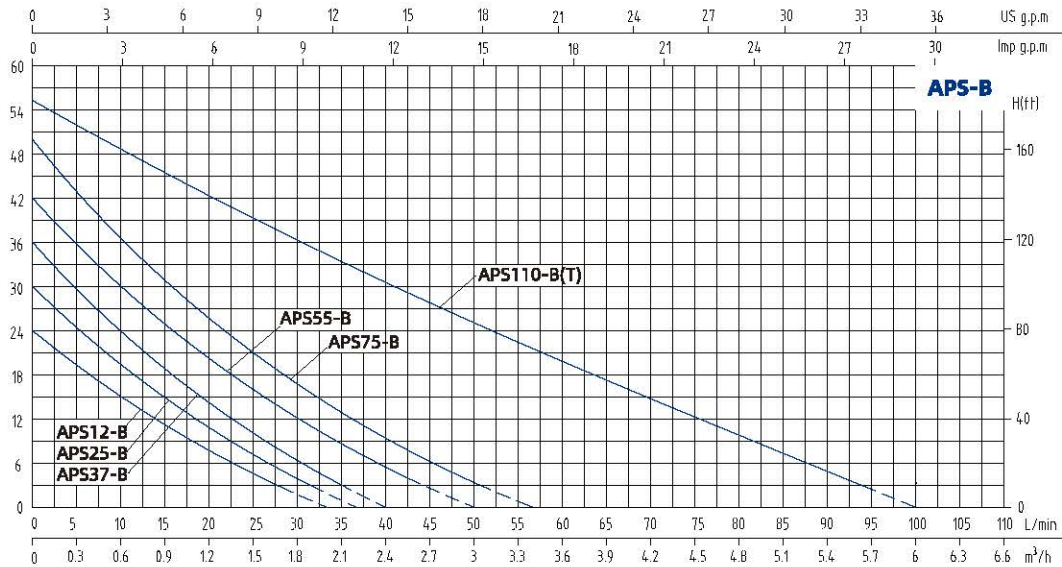


Performance Curve

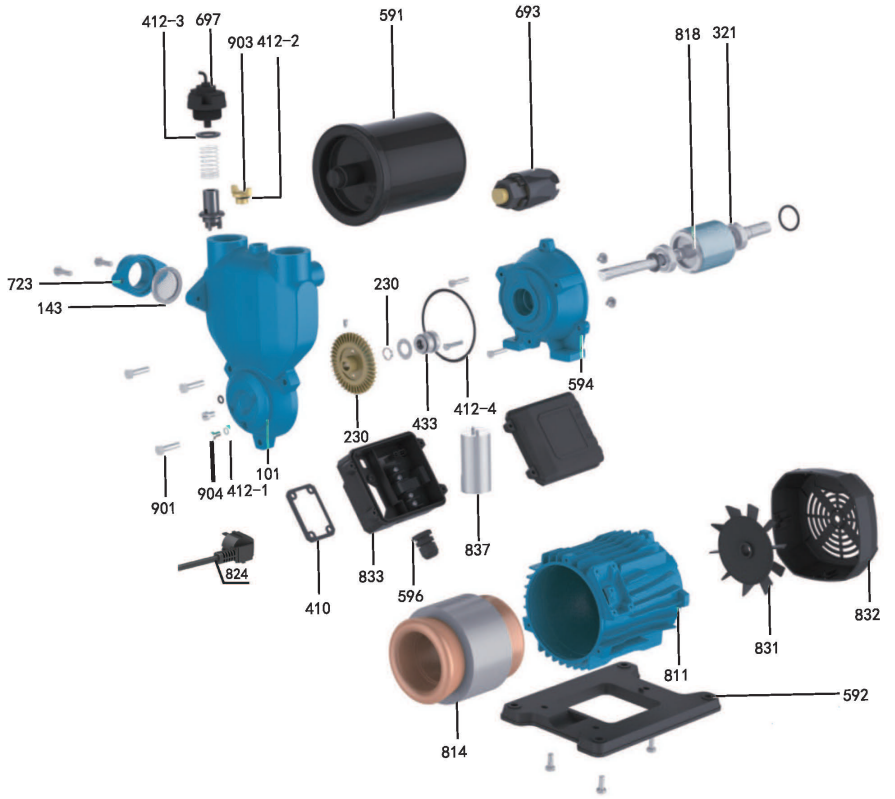


Model	Power		Max. Flow (m³/h)	Max. Head (m)	Head Range (m)	Max. Suction (m)
	kW	HP				
APS12-B	0.125	0.17	2	24	20~0	8
APS25-B	0.25	0.34	2.2	30	26~0	8
APS37-B	0.37	0.5	2.4	36	32~0	8
APS55-B	0.55	0.75	3.0	42	38~0	8
APS75-B	0.75	1	3.4	50	46~0	8
APS110-B	1.1	1.5	6	55	50~0	8
APS110-BT	1.1	1.5	6	55	50~0	8

Note: The cable length of single phase pump is 1.3m, Europe plug.

Components & Materials

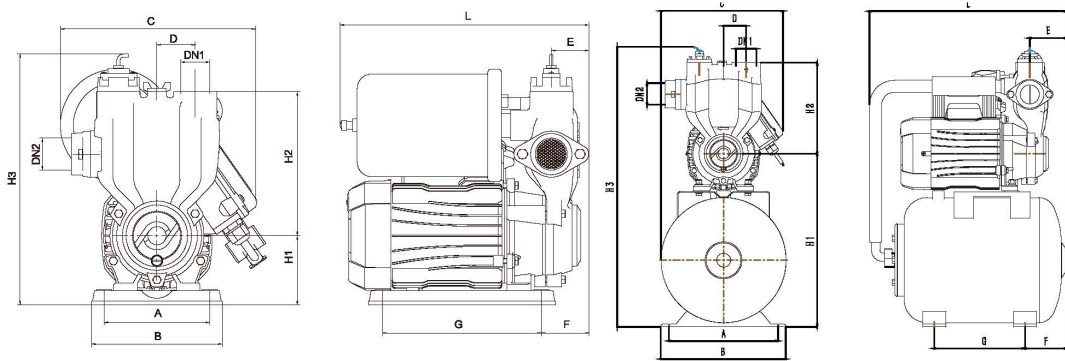
No.	Specifications
412-2	O-ring
412-3	O-ring
412-1	O-ring
412-4	O-ring
101	Pump body
592	Base
596	Cable lock
824	Cable (domestic)
903	Vent cock
831	Fan\QB60
832	Fan cover
143	Filter assembly
811	Casing
433	Mechanical seal
723	Inlet pipe
904	Slotted cheese head screw
833	Control box assembly
594	Connector body
697	Flow switch
321	Deep groove ball bearing
410	Rubber gasket
411	Rubber washer
591	Pressure tank
693	Pressure switch
230	Impeller
814	Stator core with winding
837	Running capacitor
932	Circlip for shaft
818	Rotor
901	Hexagon head bolt



Model	APS12-B	APS25-B	APS37-B	APS55-B	APS75-B	APS110-B(T)
Capacitor(μF)	8μF\450V	10μF/450V	10μF/450V	12μF/450V	18μF/450V	30μF\450V
End cap Bearing	6201-2RZ	6201-2RZ	6201-2RZ	6202-2RZ	6202-2RZ	6203-2RZ
Connection Part Bearing	6201-2RZ	6201-2RZ	6201-2RZ	6202-2RZ	6202-2RZ	6203-2RZ
Motor Shaft	Steel 45#+304					
Mechanical Seal	108-12 S:A (PC)					108-14/25 S:A (PC)
	A: Graphite, B:Alumina ceramic,P:NBR,C:stainless steel (06Cr19Ni10) S: Reactive Sintered Silicon Carbide,T: Polytetrafluoroethylene					
Motor Case	Aluminum					
Coupling	CastIron					
Pump Body	CastIron					
Impeller	Brass					

Dimensions & Weight

Model	DN1	DN2	Dim.(mm)											N.W. (kg)
	Inch	A	B	C	D	E	F	G	L	H1	H2	H3		
APS12-B	3/4	3/4	110	136	204	46	39	49.5	165	259	72	150	245.5	7.8
APS25-B	1	1	110	136	204	40	39	49.5	165	259	72	150	245.5	8.5
APS37-B	1	1	110	136	204	40	39	49.5	165	259	72	150	245.5	8.8
APS55-B	1	1	132	160	212	50	39	41.5	190	268	84	170	285	11.4
APS75-B	1	1	132	160	212	50	39	41.5	190	268	84	170	285	13.1
APS110-B	1.5	1.5	145	210	254	49	50	54	205	330	96	196	127	20.5
APS110-BT	1.5	1.5	235	270	264	49	81	91	196	427	347	196	605	24.6



Model	Dim.(L×W×H) mm	G.W. (kg)	20' Loading Qty. (pcs)
APS12-B	295×230×300	8.3	1600
APS25-B	295×230×300	9.0	1600
APS37-B	295×230×300	9.3	1600
APS55-B	315×245×325	12.1	1320
APS75-B	315×245×325	13.8	1320
APS110-B	365×280×380	21.9	720
APS110-BT	515×320×640	26.5	260

