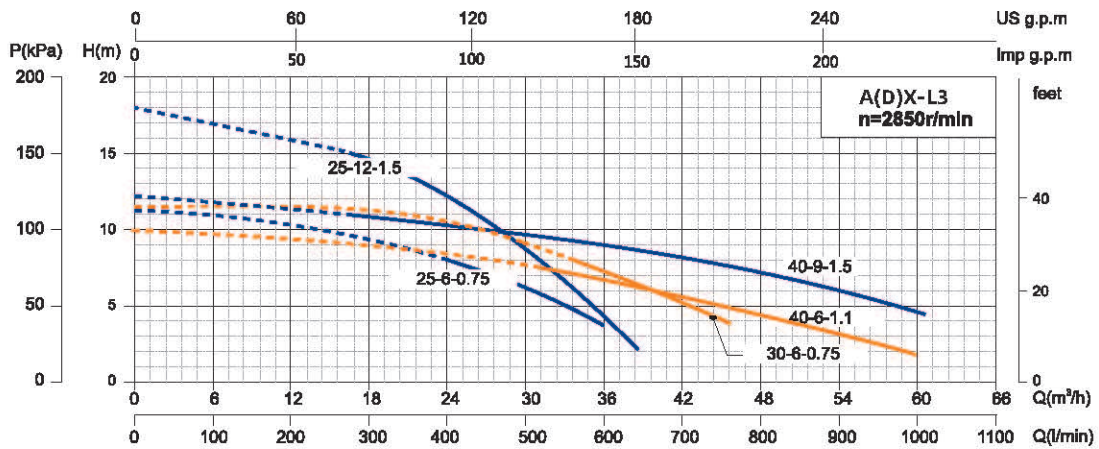
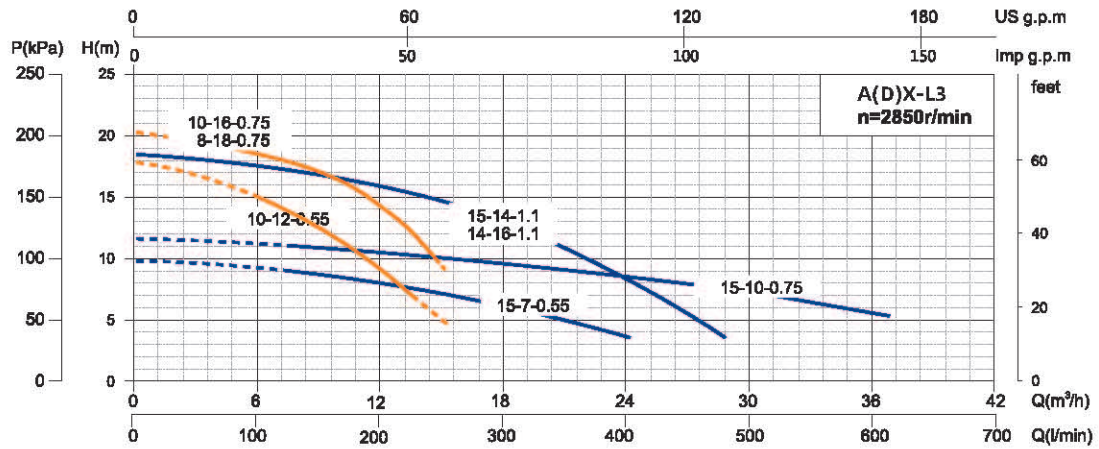
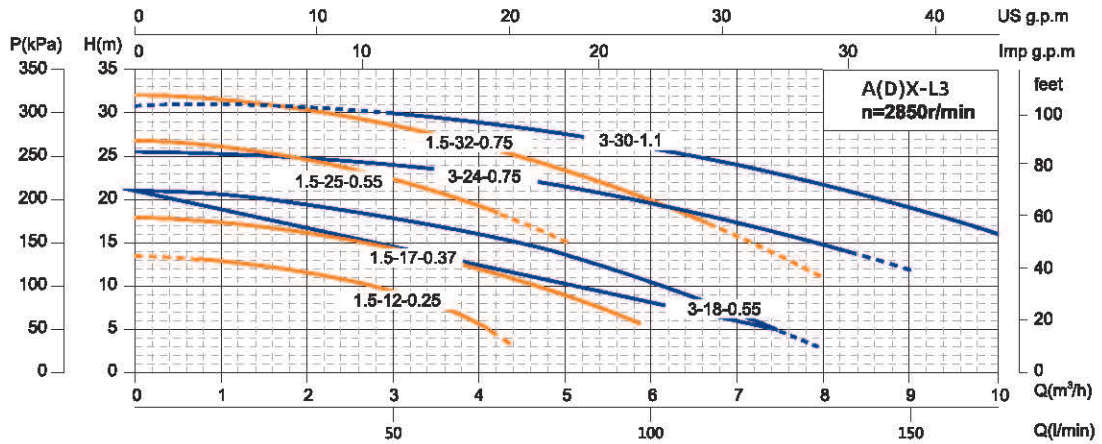
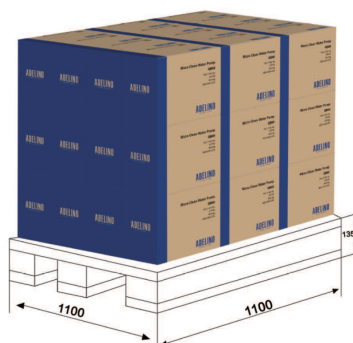


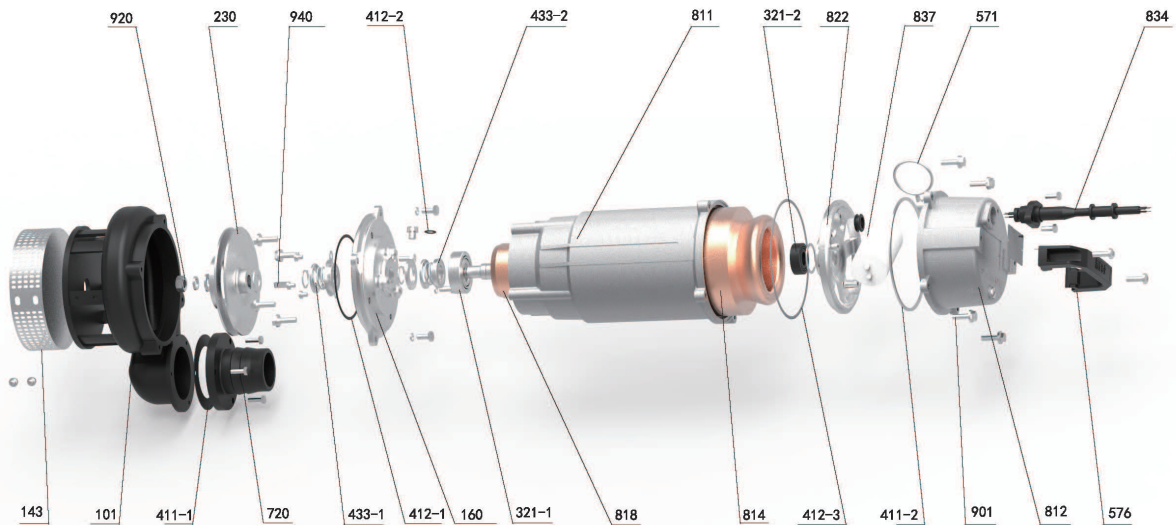
Performance Curve



| Model | | Power | | Rate Current (A) | Max. Flow (m ³ /h) | Max. Head (m) | Head Range (m) | Cable line (mm ² -m) | Packing Dim. LxWxH(mm) | G.W (kg) | 20'Loading Qty. (pcs) | DN |
|------------------|----------------|-------|------|------------------|-------------------------------|---------------|----------------|---------------------------------|------------------------|----------|-----------------------|-----------|
| Single-Phase | Three-Phase | kW | HP | | | | | | | | | |
| ADX1.5-12-0.25L3 | - | 0.25 | 0.33 | 2.1 | 4.5 | 13 | 13-5 | 3x0.75-8 | 360x180x200 | 5.5 | 2647 | 25mm(G¾) |
| ADX1.5-17-0.37L3 | - | 0.37 | 0.5 | 2.9 | 6 | 18 | 18-4 | 3x0.75-8 | 380x180x200 | 6.5 | 2499 | 25mm(G¾) |
| ADX1.5-25-0.55L3 | - | 0.55 | 0.75 | 4.1 | 6.6 | 26 | 26-17 | 3x0.75-8 | 395x195x220 | 8.5 | 1776 | 25mm(G¾) |
| ADX3-18-0.55L3 | - | 0.55 | 0.75 | 4.1 | 8 | 21 | 20-8 | 3x0.75-8 | 410x195x220 | 8.5 | 1715 | 32mm(G1) |
| ADX10-12-0.55L3 | - | 0.55 | 0.75 | 4.1 | 14.1 | 15 | 15-7 | 3x0.75-8 | 410x210x220 | 8.5 | 1598 | 40mm(G1¼) |
| ADX15-7-0.55L3 | - | 0.55 | 0.75 | 4.1 | 25.2 | 9 | 9-2 | 3x0.75-8 | 410x210x220 | 8.5 | 1598 | 50mm(G1½) |
| ADX1.5-32-0.75L3 | - | 0.75 | 1 | 5.2 | 6.9 | 33 | 32-17 | 3x0.75-8 | 420x210x230 | 10 | 1606 | 25mm(G¾) |
| ADX3-24-0.75L3 | - | 0.75 | 1 | 5.2 | 7.2 | 26 | 25-14 | 3x0.75-8 | 410x195x220 | 10 | 1715 | 32mm(G1) |
| ADX8-18-0.75L3 | - | 0.75 | 1 | 5.2 | 15 | 20 | 19-15 | 3x0.75-8 | 420x195x230 | 10.5 | 1614 | 40mm(G1¼) |
| ADX10-16-0.75L3 | - | 0.75 | 1 | 5.2 | 15 | 20 | 19-10 | 3x0.75-8 | 420x195x230 | 10.5 | 1614 | 50mm(G1½) |
| ADX15-10-0.75L3 | - | 0.75 | 1 | 5.2 | 36 | 11 | 11-3 | 3x0.75-8 | 430x280x210 | 10.5 | 1262 | 65mm(G2) |
| ADX25-6-0.75L3 | - | 0.75 | 1 | 5.2 | 35 | 10 | 10-0 | 3x0.75-8 | 430x280x210 | 11 | 1262 | 80mm(G2½) |
| ADX30-6-0.75L3 | - | 0.75 | 1 | 5.2 | 45 | 9 | 9-0 | 3x0.75-8 | 450x280x210 | 15.5 | 1069 | 80mm(G2½) |
| ADX3-30-1.1L3 | - | 1.1 | 1.5 | 7.3 | 9.6 | 31 | 31-0 | 3x1-8 | 455x285x225 | 13.5 | 1069 | 25mm(G¾) |
| ADX14-16-1.1L3 | - | 1.1 | 1.5 | 7.3 | 30 | 18 | 18-14 | 3x1.5-8 | 470x285x225 | 17.5 | 1069 | 50mm(G1½) |
| ADX15-14-1.1L3 | - | 1.1 | 1.5 | 7.3 | 30 | 18 | 18-0 | 3x1-8 | 470x280x215 | 17.5 | 1070 | 65mm(G2) |
| ADX40-6-1.1L3 | - | 1.1 | 1.5 | 7.3 | 54 | 9 | 9-0 | 3x1-8 | 505x280x215 | 19.5 | 990 | 80mm(G2½) |
| - | AX8-18-0.75L3 | 0.75 | 1 | 2 | 15 | 20 | 19-15 | 4x0.75-8 | 420x195x230 | 10.5 | 1614 | 40mm(G1¼) |
| - | AX10-16-0.75L3 | 0.75 | 1 | 2 | 15 | 20 | 19-10 | 4x0.75-8 | 420x190x230 | 10.5 | 1614 | 50mm(G1½) |
| - | AX30-6-0.75L3 | 0.75 | 1 | 2 | 45 | 9 | 9-0 | 4x0.75-8 | 450x280x210 | 15.5 | 1069 | 80mm(G2½) |
| - | AX3-30-1.1L3 | 1.1 | 1.5 | 2.7 | 9.6 | 31 | 31-0 | 4x0.75-8 | 455x285x225 | 12 | 1069 | 25mm(G¾) |
| - | AX14-16-1.1L3 | 1.1 | 1.5 | 2.7 | 30 | 18 | 18-14 | 4x0.75-8 | 470x280x215 | 16 | 1070 | 50mm(G1½) |
| - | AX15-14-1.1L3 | 1.1 | 1.5 | 2.7 | 30 | 18 | 18-0 | 4x0.75-8 | 470x285x225 | 16 | 1069 | 65mm(G2) |
| - | AX40-6-1.1L3 | 1.1 | 1.5 | 2.7 | 54 | 9 | 9-0 | 4x0.75-8 | 505x280x215 | 18 | 990 | 80mm(G2½) |
| - | AX25-12-1.5L3 | 1.5 | 2 | 3.6 | 48 | 16 | 16-0 | 4x0.75-8 | 505x280x215 | 17 | 990 | 65mm(G2) |
| - | AX40-9-1.5L3 | 1.5 | 2 | 3.6 | 60 | 12 | 12-0 | 4x0.75-8 | 530x285x225 | 19.5 | 990 | 80mm(G2½) |

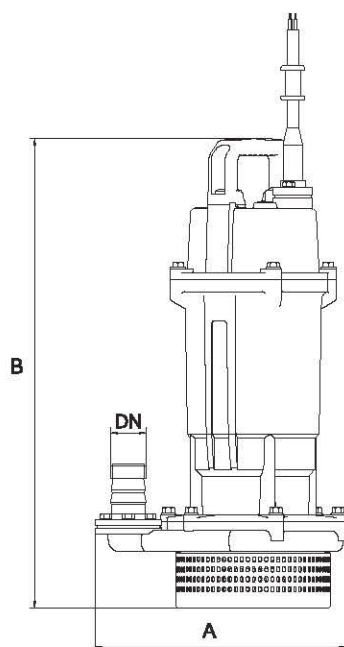


Components & Materials



| No. | Part name | No. | Part name |
|-------|--------------------------|-----|---------------------------|
| 101 | Casing | 576 | Handle |
| 143 | Net cover | 720 | Water outlet |
| 160 | Oil chamber cover | 811 | Enclosure |
| 230 | Impeller | 812 | Top cover |
| 321-1 | Deep groove ball bearing | 814 | Stator core with winding |
| 321-2 | Deep groove ball bearing | 818 | Rotor |
| 411-1 | Rubber washer | 822 | Upper bearing housing |
| 411-2 | Rubber washer | 834 | Cable sheath |
| 412-1 | O-ring | 837 | Capacitance |
| 412-2 | O-ring | 901 | Hexagon flange face bolts |
| 412-3 | O-ring | 920 | Type 1 hex nut |
| 433-1 | Mechanical seal | 940 | Ordinary flat key |
| 433-2 | Mechanical seal | | |
| 571 | Capacitor fixing ring | | |

Dimensions & Weight



| Model | | Dim.(mm) | | | N.W. (kg) |
|------------------|----------------|----------|-----|-------|--------------|
| Single-Phase | Three-Phase | A | B | DN | |
| ADX1.5-12-0.25L3 | - | 175 | 310 | 1" | 4.5 |
| ADX1.5-17-0.37L3 | - | 190 | 340 | 1" | 6.5 |
| ADX1.5-25-0.55L3 | - | 220 | 360 | 1" | 9 |
| ADX3-18-0.55L3 | - | 205 | 360 | 1.25" | 9 |
| ADX10-12-0.55L3 | - | 215 | 365 | 1.5" | 9 |
| ADX15-7-0.55L3 | - | 215 | 380 | 2" | 9 |
| ADX1.5-32-0.75L3 | - | 240 | 380 | 1" | 11 |
| ADX3-24-0.75L3 | - | 220 | 380 | 1.25" | 11 |
| ADX8-18-0.75L3 | - | 230 | 380 | 1.5" | 10.5 |
| ADX10-16-0.75L3 | - | 230 | 380 | 2" | 10.5 |
| ADX15-10-0.75L3 | - | 240 | 395 | 2.5" | 11 |
| ADX25-6-0.75L3 | - | 240 | 390 | 3" | 11 |
| ADX30-6-0.75L3 | - | 260 | 420 | 3" | 12.5 |
| ADX3-30-1.1L3 | - | 235 | 430 | 1" | 14 |
| ADX14-16-1.1L3 | - | 245 | 445 | 2" | 15.5 |
| ADX15-14-1.1L3 | - | 245 | 445 | 2.5" | 15.5 |
| ADX40-6-1.1L3 | - | 265 | 475 | 3" | 17 |
| - | AX8-18-0.75L3 | 230 | 380 | 1.5" | 10 |
| - | AX10-16-0.75L3 | 230 | 380 | 2" | 10 |
| - | AX30-6-0.75L3 | 260 | 420 | 3" | 12 |
| - | AX3-30-1.1L3 | 235 | 430 | 1" | 11 |
| - | AX14-16-1.1L3 | 245 | 445 | 2" | 14 |
| - | AX15-14-1.1L3 | 245 | 445 | 2.5" | 14 |
| - | AX40-6-1.1L3 | 265 | 475 | 3" | 16 |
| - | AX25-12-1.5L3 | 245 | 475 | 2.5" | 16 |
| - | AX40-9-1.5L3 | 265 | 500 | 3" | 18 |