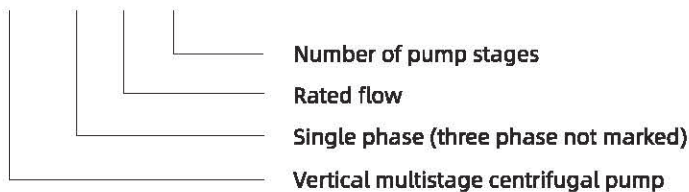


Model Instruction

PV (M) 2 - 2



Performance range

- ⊙ Max lift: 153 m;
- ⊙ Max flow: 6m³ / h;

Conditions

- ⊙ The temperature of the medium does not exceed +60 ° C;
- ⊙ The ambient temperature does not exceed +40 ° C;
- ⊙ The PH value of the medium is between 6.5 and 8.5, the volume ratio of solid impurities in the medium is ≤ 0.1%, and the particle size is ≤ 0.2mm.
- ⊙ The maximum working pressure is 15 bar;
- ⊙ The highest altitude is 1000m;

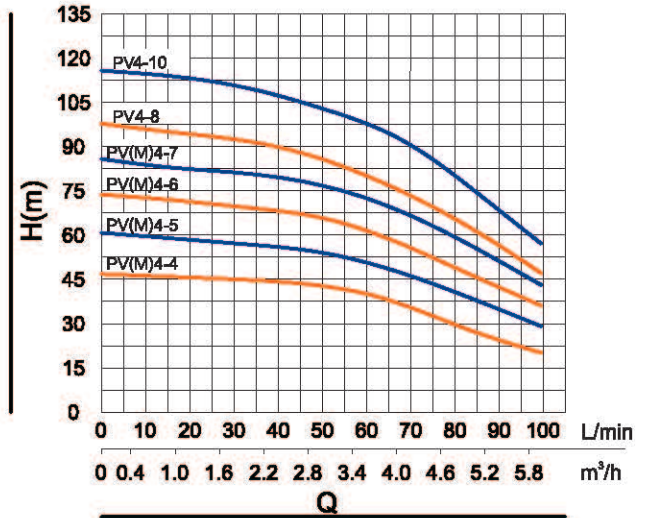
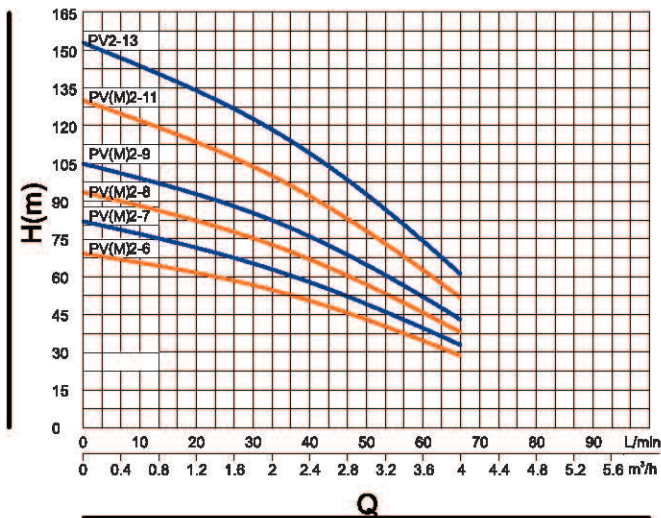
Applications

The product has the characteristics of high cost-effective, high pressure and low noise,etc.PV(D) are widely used in many fields,such as water supply system and water filtration and boost systemn for pipeling,washing and cleaning ,boiler feed water,cooling water circulation,water treatment,ultra-filtration,reveser osmosis systems,water fertilizer integrated machine ,etc.

Functions

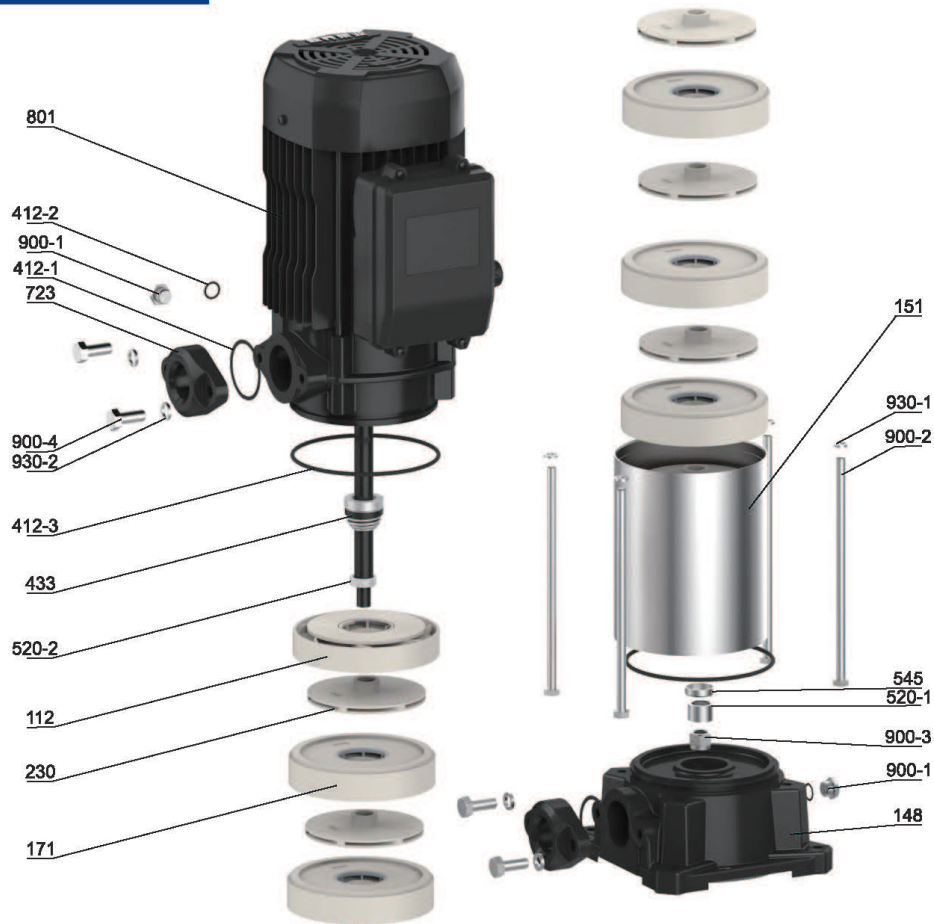
- ⊙ pump seat / coupling / back cover / inlet pipe: cast iron;
- ⊙ Axis: 304+45 friction welding
- ⊙ Impeller / guide vane: PPO + GF30
- ⊙ Case: YL102
- ⊙ Pump barrel: 304
- ⊙ Junction box: ABS
- ⊙ Mechanical seal: silicon carbide / graphite / nitrile rubber
- ⊙ Bearing: 6305-2RS / human, 6204-2RS / human, contact sealed
- ⊙ Motor: 2-pole asynchronous motor, copper coil, fan cooling, continuous operation
- ⊙ Protection class: IP55
- ⊙ Insulation class: F

Performance curve



Model		Power		Q (m³/h)	0	1	2	3	4	5	6
Single-phase	Three phase	kW	HP		0	16.7	33.3	50	66.7	83.3	100
PVM2-6	PV2-6	1.1	1.5	H(m)	69	65	53	45	18	-	-
PVM2-7	PV2-7	1.1	1.5		82	75	65.5	52	25	-	-
PVM2-8	PV2-8	1.5	2		94	87	73	59	28	-	-
PVM2-9	PV2-9	1.5	2		105	98	84	67	35	-	-
PVM2-11	PV2-11	1.8	2.4		130	119	102	82	37	-	-
-	PV2-13	2.2	3		153	142	122	97	39	-	-
PVM4-4	PV4-4	1.1	1.5		47	46	45	41	39	28	20
PVM4-5	PV4-5	1.5	2		61	58	57	55	48	39	29
PVM4-6	PV4-6	1.5	2		74	72	69	66	58	47	36
PVM4-7	PV4-7	1.8	2.4		86	83	81	77	69	57	43
-	PV4-8	2.2	3		98	95	92	86	77	63	47
-	PV4-10	2.2	3		116	114	110	102	96	73	57

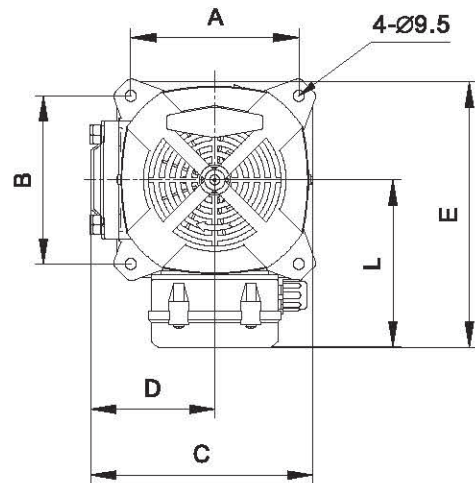
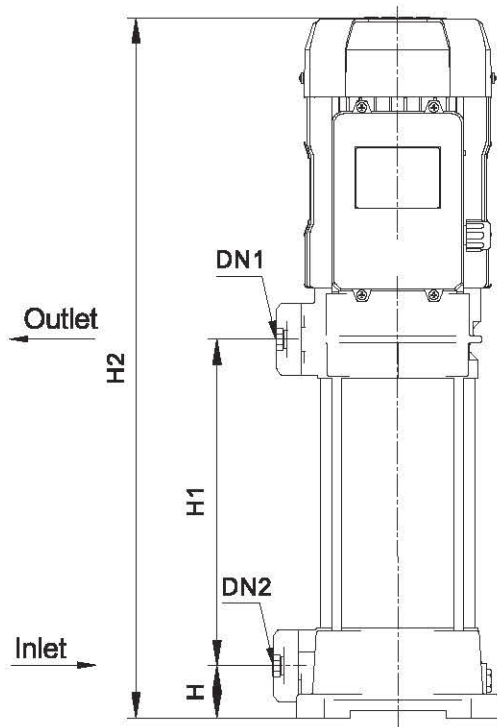
Components & Materials



No.	Component	No.	Component
112	Last-stage guide vane	520-2	Shaft sleeve
148	Pump seat	545	Plastic bearing
151	Pump cylinder	723	Inlet and outlet pipes
171	Guide vane	801	Motor
230	Impeller	900-1	Air release plug
412-1	O-ring	900-2	Hexagon head bolt
412-2	O-ring	900-3	Type 1 non-metallic insert hex lock nut
412-3	O-ring	900-4	Hexagon head bolt with full thread
433	Mechanical seal	930-1	Standard spring washer
520-1	Wear-resistant shaft sleeve	930-2	Spring washer

Product appearance size

Model		DN1	DN2	H	H1	H2	A	B	C	D	E	L
Single-phase	Three phase	mm	mm	mm	mm	mm	mm	mm	mm	mm	mm	mm
PVM2-6	PV2-6	G1	G1	43.5	224.5	536.5	140	140	185	103.5	221	139.5
PVM2-7	PV2-7				248.5	560.5						
PVM2-8	PV2-8				272.5	584.5						
PVM2-9	PV2-9				296.5	608.5						
PVM2-11	PV2-11				344.5	656.5						
-	PV2-13				392.5	704.5						
PVM4-4	PV4-4				176.5	487						
PVM4-5	PV4-5				200.5	511						
PVM4-6	PV4-6				224.5	535						
PVM4-7	PV4-7				248.5	559						
-	PV4-8	272.5	583									
-	PV4-10	320.5	631									



Packing Sizes & Weight

Model	Dim.(mm)(L*W*H)	N.W.(kg)	G.W.(kg)
PV2-6	595×240×270	21	22
PVM2-6		22	23
PV2-7	620×240×270	22	23
PVM2-7		23	24
PV2-8	645×240×270	24	25
PVM2-8		25	26
PV2-9	670×240×270	24	25
PVM2-9		26	27
PV2-11	715×240×270	26	27
PVM2-11		28	29
PV2-13	765×240×270	28	29
PV4-4	545×240×270	20	21
PVM4-4		21	22
PV4-5	570×240×270	22	23
PVM4-5		24	25
PV4-6	595×240×270	23	24
PVM4-6		24	25
PV4-7	620×240×270	24	25
PVM4-7		26	27
PV4-8	645×240×270	26	27
PV4-10	695×240×270	31	32