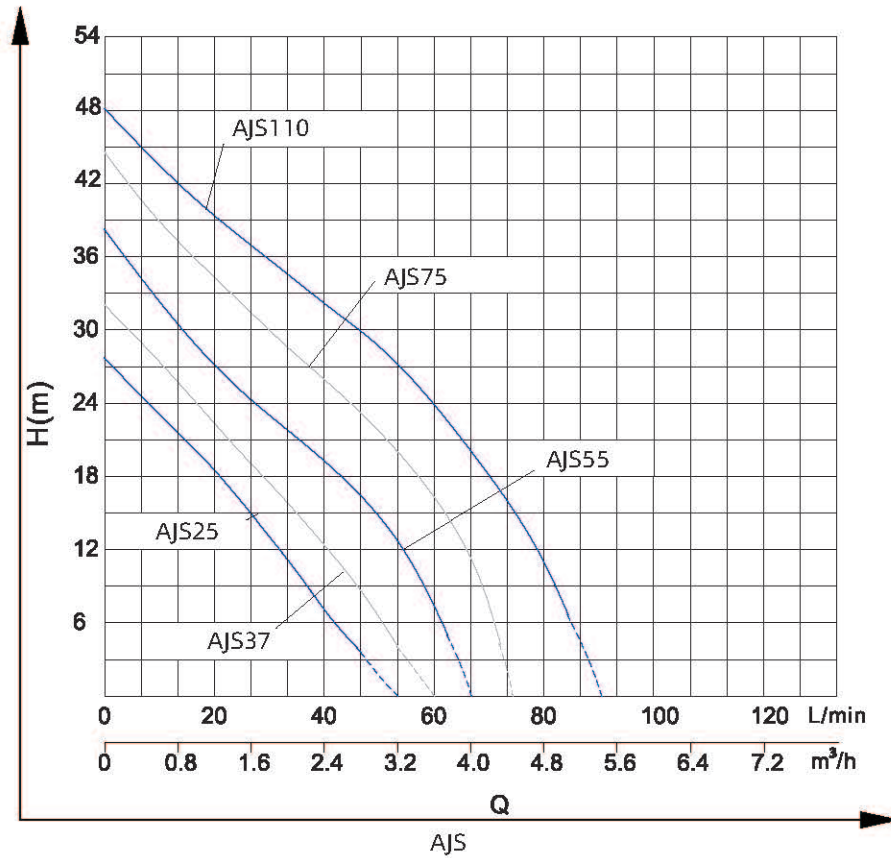
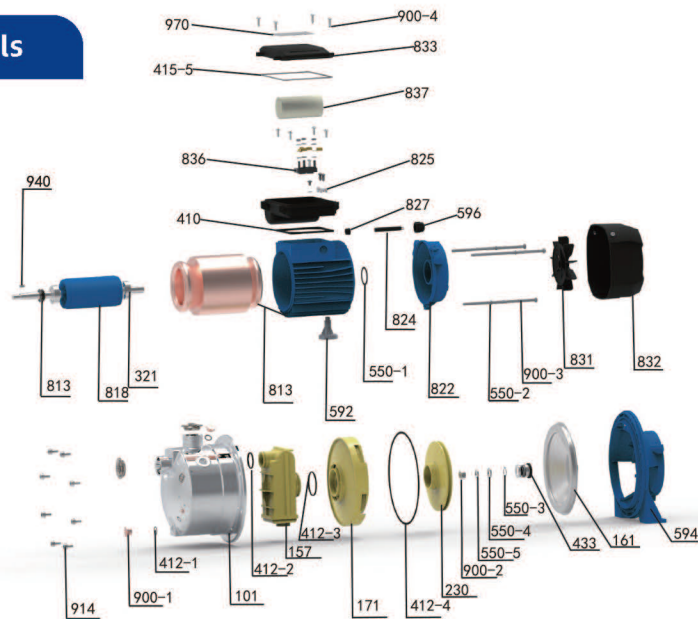


Performance Curve



Model	Power		Max. Flow (m³/h)	Max. Head (m)	Head Range (m)	Max. Suction (m)
	kW	HP				
AJS25(115V/230V-60Hz)	0.25	0.34	3.2	28.0	4 ~ 28	8.0
AJS25(115V/60Hz)	0.25	0.34	3.2	28.0	4 ~ 28	8.0
AJS25(220V/60Hz)	0.25	0.34	3.2	28.0	4 ~ 28	8.0
AJS37(115V/230-60Hz)	0.37	0.50	3.6	32.0	5 ~ 32	7.0
AJS37(115V/60Hz)	0.37	0.50	3.6	32.0	5 ~ 32	7.0
AJS37(220V/60Hz)	0.37	0.50	3.6	32.0	5 ~ 32	7.0
AJS55(115V/230V-60Hz)	0.55	0.75	4.0	38.0	4 ~ 38	9.0
AJS55(115V/60Hz)	0.55	0.75	4.0	38.0	4 ~ 38	9.0
AJS55(220V/60Hz)	0.55	0.75	4.0	38.0	4 ~ 38	9.0
AJS75(115V/230V-60Hz)	0.75	1.00	4.5	44.0	5.5 ~ 44	9.0
AJS75(115V/60Hz)	0.75	1.00	4.5	44.0	5.5 ~ 44	9.0
AJS75(220V/60Hz)	0.75	1.00	4.5	44.0	5.5 ~ 44	9.0
AJS110(115V/230V-60Hz)	1.10	1.50	5.4	48.0	9 ~ 48	9.0
AJS110(115V/60Hz)	1.10	1.50	5.4	48.0	9 ~ 48	9.0
AJS110(220V/60Hz)	1.10	1.50	5.4	48.0	9 ~ 48	9.0

Components & Materials



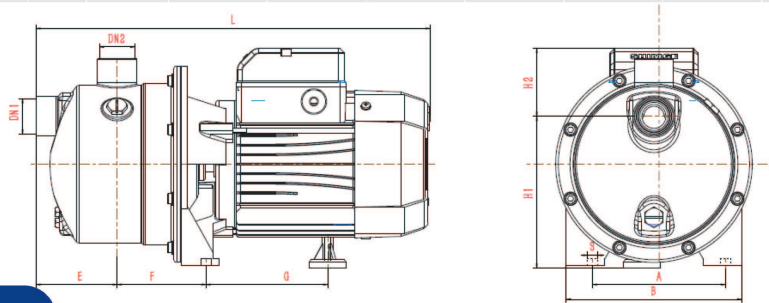
No.	Part name	No.	Part name	No.	Part name
914	Hexagonal head screw	433	Mechanical seal	321	Deep groove ball bearing
900-1	Vent cock	161	Pump cover	833	Junction box assembly
412 1 1	O-ring seal	594	Coupling	818	Rotor
101	Pump body (matte)	832	Fan cover	940	Flat key joint
412-2	O-ring seal	831	Fan	410	Rubber washer
157	Injector	900-3	Type I hexagonal bolt	836	Binding post
412 1 3	O-ring seal	550-2	Spring washer	412-5	O-ring seal
171	Guide vane	822	Rear end cover	970	Nameplate
412-4	O-ring seal	596	Cable lock	900-4	Cross recessed pan head tapping screw
230	Impeller	824	Cable	837	Capacitor
900-2	Type I hexagonal nut	550-1	Wave spring	825	Cable pressing plate
550-5	Spring washer	827	Cable sheath		
550-4	Flat washer	592	Foot		
550-3	Elastic collar for shaft	813	Stator		

Model	AJS25 (115V/230V-60Hz)	AJS25 (115V/60Hz)	AJS25 (220V/60Hz)	AJS37 (115V/230-60Hz)	AJS37 (115V/60Hz)	AJS37 (220V/60Hz)	AJS55 (115V/230V-60Hz)	AJS55 (115V/60Hz)	AJS55 (220V/60Hz)	
Capacitor(µF)	15/250V	25/250V	12/450V	25/250V	30/250V	12/450V	35/250V	45/250V	15/450V	
End cap Bearing	6201-2RZ						6202-2RZ			
Connection Part Bearing	6202-2RZ						6202-2RZ			
Motor Shaft	Steel 45#+304									
Mechanical Seal	108-12/21&26\&S:A(RC)			108-12/21&26\&S:A(RC)			108-14/25&S:A(PC)			
Motor Case	Aluminum									
Coupling	Aluminum									
Pump Body	304									
Impeller	Plastics PPO									

Model	AJS75 (115V/230V-60Hz)	AJS75 (115V/60Hz)	AJS75 (220V/60Hz)	AJS110 (115V/230V-60Hz)	AJS110 (115V/60Hz)	AJS110 (220V/60Hz)
Capacitor(µF)	30/250	40/250	20/450	50/250	50/250	25/450
End cap Bearing	6202-2RZ			6202-2RZ		
Connection Part Bearing	6202-2RZ			6202-2RZ		
Motor Shaft	Steel 45#+304					
Mechanical Seal	108-14/25&S:A(PC)			108-14/25&S:A(PC)		
Motor Case	Aluminum					
Coupling	Aluminum					
Pump Body	304					
Impeller	Plastics PPO					

Dimensions & Weight

Model	DN1	DN2	Dim.(mm)								N.W. (kg)	
	Inch	Inch	A	B	E	F	G	L	S	H1		H2
AJS25(115V/230V-60Hz)	1"	1"	105	145	70	79	109	333.5	9.5	120	70	5.5
AJS25(115V/60Hz)	1"	1"									55	5.5
AJS25(220V/60Hz)	1"	1"									55	5.5
AJS37(115V/230-60Hz)	1"	1"									70	6.0
AJS37(115V/60Hz)	1"	1"									55	6.0
AJS37(220V/60Hz)	1"	1"									55	6.0
AJS55(115V/230V-60Hz)	1"	1"	125	165	76.5	83.5	114.5	371	9.5	140	69	8.0
AJS55(115V/60Hz)	1"	1"									64	8.0
AJS55(220V/60Hz)	1"	1"									64	8.0
AJS75(115V/230V-60Hz)	1"	1"									69	9.4
AJS75(115V/60Hz)	1"	1"									64	9.4
AJS75(220V/60Hz)	1"	1"									64	9.4
AJS110(115V/230V-60Hz)	1"	1"	145	183	76	97	109.5	379	9.5	153	64	11.0
AJS110(115V/60Hz)	1"	1"									59	11.0
AJS110(220V/60Hz)	1"	1"									59	11.0



Packing Size & Weight

Model	Dim.(LxWxH) mm	G.W. (kg)
Single-Phase		
AJS25(115V/230V-60Hz)	333.5x145x184.5	6.1
AJS25(115V/60Hz)	333.5x145x184.5	6.1
AJS25(220V/60Hz)	333.5x145x184.5	6.1
AJS37(115V/230-60Hz)	333.5x145x184.5	6.6
AJS37(115V/60Hz)	333.5x145x184.5	6.6
AJS37(220V/60Hz)	333.5x145x184.5	6.6
AJS55(115V/230V-60Hz)	371x165x216	8.8
AJS55(115V/60Hz)	371x165x216	8.8
AJS55(220V/60Hz)	371x165x216	8.8
AJS75(115V/230V-60Hz)	371x165x216	10.2
AJS75(115V/60Hz)	371x165x216	10.2
AJS75(220V/60Hz)	371x165x216	10.2
AJS110(115V/230V-60Hz)	379x183x221	12.0
AJS110(115V/60Hz)	379x183x221	12.0
AJS110(220V/60Hz)	379x183x221	12.0

