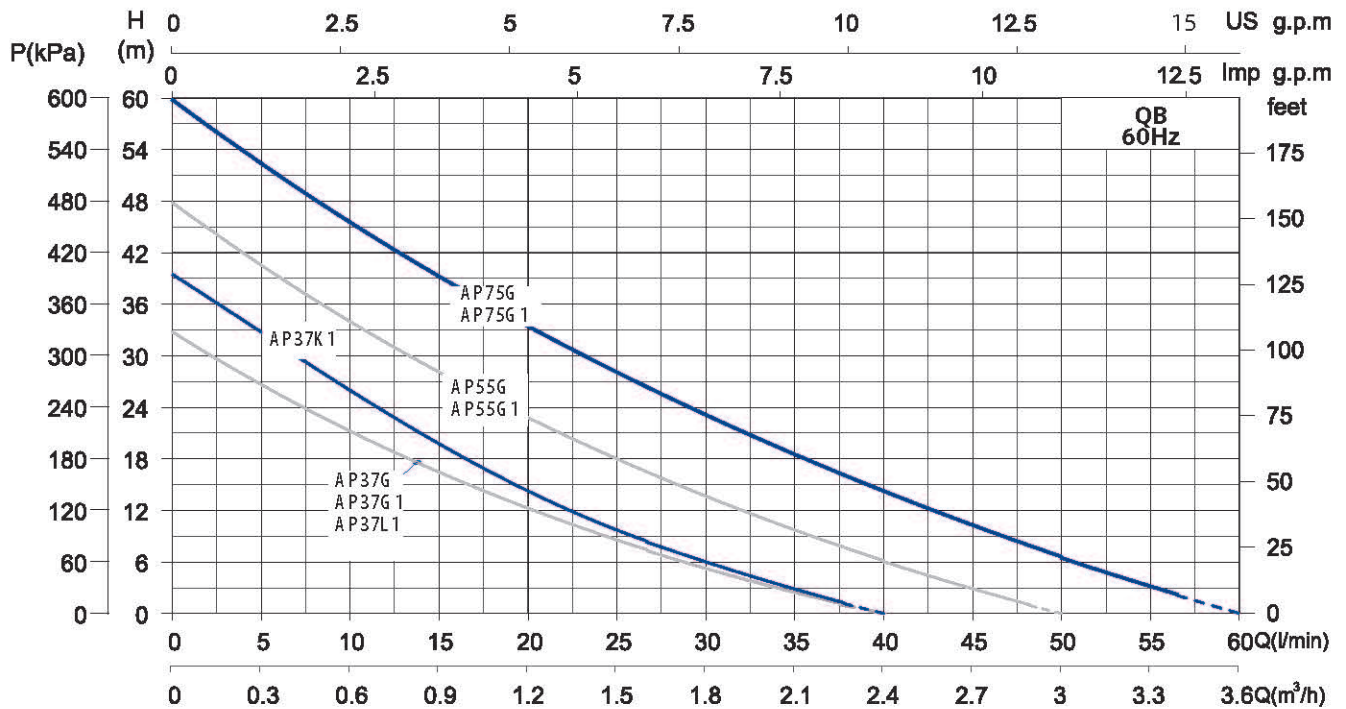


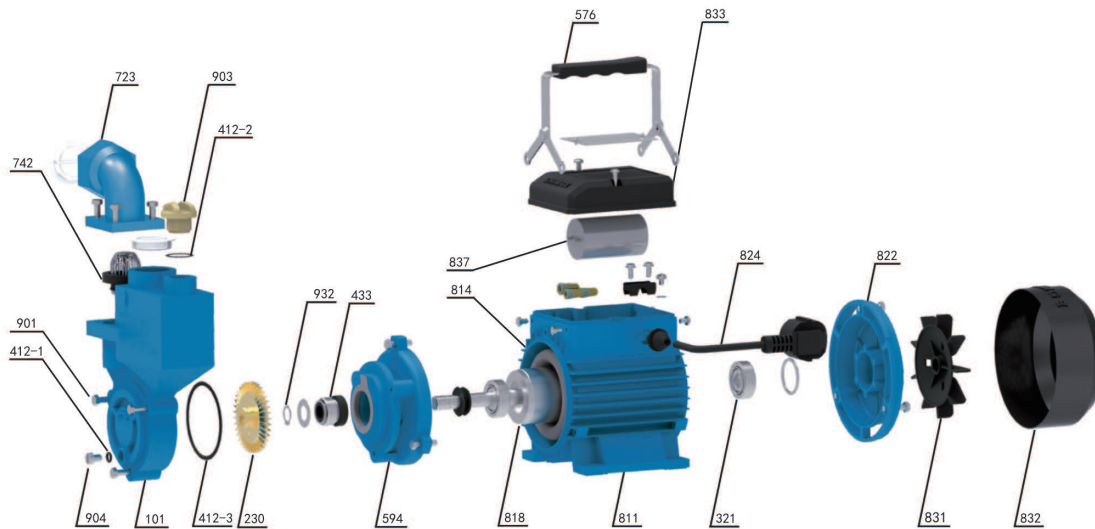
Performance Curve



Model	Power		Max. Flow (m³/h)	Max. Head (m)	Head Range (m)	Max. Suction (m)
	kw	HP				
AP37G(60Hz)	0.37	0.5	2.4	33	1 ~ 27	8
AP37L1(60Hz)	0.37	0.5	2.4	33	1 ~ 27	8
AP37K1(60Hz)	0.37	0.5	2.4	40	1.5 ~ 30	8
AP55G(60Hz)	0.55	0.75	3	48	1.5 ~ 44	8
AP75G(60Hz)	0.75	1	3.6	60	2.5 ~ 53	8
AP37G1(115V/60Hz)	0.37	0.5	2.4	33	0 ~ 27	8
AP37G1(220V/60Hz)	0.37	0.5	2.4	33	0 ~ 27	8
AP37G1(115V/230V-60Hz)	0.37	0.5	2.4	33	0 ~ 27	8
AP55G1(115V/60Hz)	0.55	0.75	3	48	0 ~ 44	8
AP55G1(220V/60Hz)	0.55	0.75	3	48	0 ~ 44	8
AP55G1(115V/230V-60Hz)	0.55	0.75	3	48	0 ~ 44	8
AP75G1(115V/60Hz)	0.75	1	3.6	60	0 ~ 53	8
AP75G1(220V/60Hz)	0.75	1	3.6	60	0 ~ 53	8
AP75G1(115V/230V-60Hz)	0.75	1	3.6	60	0 ~ 53	8

NOTE: 0.3m short-term without plug

Components & Materials



No.	Part name	No.	Part name	No.	Part name
836	Terminal block	412-2	O-ring	321	Deep groove ball bearing
831	Fan\AP37	412-3	O-ring	833	Junction box
822	Rear end cover	411	Seal ring	824	Cable (domestic)
903	Vent cock	594	Connector	101	Pump body
901	Hexagon head bolt - full thread	814	Stator core with winding	811	Casing
230	Impeller	932	Circlip for shaft	818	Rotor
433	Mechanical seal	412-1	O-ring		
837	Running capacitor	832	Fan cover		

Components & Materials

Model	AP37G 110V-60Hz	AP37G 220V-60Hz	AP37G 110V/220V- 60Hz	AP37L1 110V-60Hz	AP37L1 220V-60Hz	AP37L1 110V/220V- 60Hz	AP37K1 110V-60Hz	AP37K1 220V-60Hz
Capacitor(μF)	20μF/250V	8μF/450V	15μF/250V	25μF/250V	8μF/450V	20μF/250V	25μF/250V	10μF/450V
End cap Bearing	6201-2RZ							
Connection Part Bearing	6201-2RZ							
Motor Shaft	Steel 45#+304							
Mechanical Seal	103-12/20.5 B:A (PC) Stator Ring Φ26 A: Hot graphite, B: Alumina ceramic, P: Nitrile rubber, C: Stainless steel (06Cr19Ni10)							
Motor Case	Aluminum							
Coupling	Cast Iron							
Pump Body	Cast Iron							
Impeller	Brass							

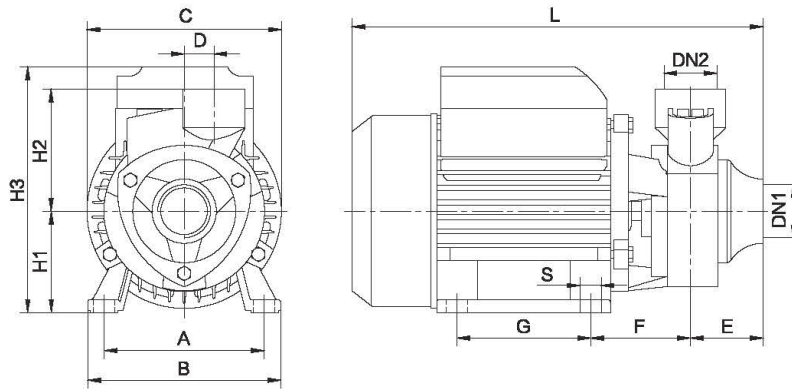
Model	AP37K1 110V/220V-60Hz	AP55G 110V-60Hz	AP55G 220V-60Hz	AP75G 110V-60Hz	AP75G 220V-60Hz	AP75G 110V/220V-60Hz
Capacitor(μF)	20μF/250V	30μF/250V	15μF/450V	40μF/250V	20μF/450V	30μF/250V
End cap Bearing	6201-2RZ	6202-2RZ				
Connection Part Bearing	6201-2RZ	6202-2RZ				
Motor Shaft	Steel 45#+304					
Mechanical Seal	103-12/20.5 B:A (PC) Stator Ring Φ26	301-12/21 B:A (PC) Stator Ring Φ26 A: Hot graphite, B: Alumina ceramic, P: Nitrile rubber, C: Stainless steel (06Cr19Ni10)				
Motor Case	Aluminum					
Coupling	Cast Iron					
Pump Body	Cast Iron					
Impeller	Brass					

Model	AP37G1 115V-60Hz	AP37G1 220V-60Hz	AP37G1 115V/220V-60Hz
Capacitor(μF)	20μF/250V	8μF/450V	15μF/250V
End cap Bearing	6201-2RZ		
Connection Part Bearing	6201-2RZ		
Motor Shaft	Steel 45#+304		
Mechanical Seal	103-12/20.5 B:A (PC) Stator Ring Φ26 A: Hot graphite, B: Alumina ceramic, P: Nitrile rubber, C: Stainless steel (06Cr19Ni10)		
Motor Case	Aluminum		
Coupling	Cast Iron		
Pump Body	Cast Iron		
Impeller	Brass		

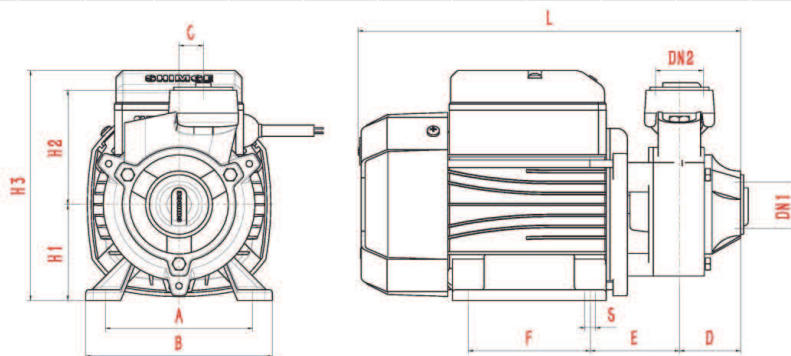
Model	AP55G1 110V-60Hz	AP55G1 220V-60Hz	AP75G1 110V-60Hz	AP75G1 220V-60Hz	AP75G1 110V/220V-60Hz
Capacitor(μF)	30μF/250V	15μF/450V	40μF/250V	20μF/450V	30μF/250V
End cap Bearing	6202-2RZ				
Connection Part Bearing	6202-2RZ				
Motor Shaft	Steel 45#+304				
Mechanical Seal	301-12/21 B:A (PC) Stator Ring Φ26 A: Hot graphite, B: Alumina ceramic, P: Nitrile rubber, C: Stainless steel (06Cr19Ni10)				
Motor Case	Aluminum				
Coupling	Cast Iron				
Pump Body	Cast Iron				
Impeller	Brass				

Dimensions & Weight

Model	DN1	DN2	Dim.(mm)											
	Inch		A	B	C	D	E	F	G	L	S	H1	H2	H3
AP37G(110V-60Hz)	1	1	100	120	121	16	45	64	80	258	7	63	75	152
AP37G(220V-60Hz)	1	1	100	120	121	16	45	64	80	258	7	63	75	152
AP37G(110V/220V-60Hz)	1	1	100	120	121	16	45	64	80	258	7	63	75	162
AP37L1(110V-60Hz)	1	1	93	115	115	15	35.5	63	58	222	7	60	68	148
AP37L1(220V-60Hz)	1	1	93	115	115	15	35.5	63	58	222	7	60	68	148
AP37K1(110V-60Hz)	1	1	93	115	115	15	35.5	63	58	222	7	60	68	148
AP37K1(220V-60Hz)	1	1	93	115	115	15	35.5	63	58	222	7	60	68	148
AP37K1(110V/220V-60Hz)	1	1	93	115	115	15	35.5	64.5	67	232	7	60	68	157
AP55G(110V-60Hz)	1	1	112	137	137	18	49.5	78.5	88	294	7	72	85	181
AP55G(220V-60Hz)	1	1	112	137	137	18	49.5	78.5	88	294	7	72	85	181
AP75G(110V-60Hz)	1	1	112	137	137	18	49.5	78.5	88	294	7	72	85	181
AP75G(220V-60Hz)	1	1	112	137	137	18	49.5	78.5	88	294	7	72	85	181
AP75G(110V/220V-60Hz)	1	1	112	137	137	18	49.5	78.5	88	294	7	72	85	181



Model	DN1	DN2	Dim.(mm)											N.W. (kg)
	Inch		A	B	C	D	E	F	S	L	H1	H2	H3	
AP37G1(115V/60Hz)	1	1	100	123	16	40.5	59	80	7	252	63	75	151	4.6
AP37G1(220V/60Hz)	1	1	100	123	16	40.5	59	80	7	252	63	75	151	4.6
AP37G1(115V/230V-60Hz)	1	1	100	123	16	40.5	59	80	7	252	63	75	151	4.6
AP55G1(115V/60Hz)	1	1	112	136	18	48	56.5	88	7	277	72	85	181	7.8
AP55G1(220V/60Hz)	1	1	112	136	18	48	56.5	88	7	277	72	85	181	7.8
AP55G1(115V/230V-60Hz)	1	1	112	136	18	48	56.5	88	7	277	72	85	181	7.8
AP75G1(115V/60Hz)	1	1	112	136	18	48	56.5	88	7	277	72	85	181	9.4
AP75G1(220V/60Hz)	1	1	112	136	18	48	56.5	88	7	277	72	85	181	9.4
AP75G1(115V/230V-60Hz)	1	1	112	136	18	48	56.5	88	7	277	72	85	181	9.4



Packing Size & Weight

Model	Dim.(L×W×H) mm	G.W. (kg)	Dim. For Outer Packing(L×W×H)mm	G.W. (kg)	Packing Qty. (pcs)	20'Loading Qty. (pcs)
AP37G(60Hz)	280×140×170	5	440×290×360	31	6	3660
AP37L1(60Hz)	235×135×175	4.3	430×250×380	26.6	6	4302
AP37K1(60Hz)	235×135×175	4.7	425×245×375	29	6	4302
AP55G(60Hz)	335×190×210	8.5	315×190×202	8.5	1	2076
AP75G(60Hz)	345×190×210	10	315×190×202	10	1	2064
AP37G1(115V/60Hz)	280×155×190	4.8	440×290×360	29.6	6	3780
AP37G1(220V/60Hz)	280×155×190	4.8	440×290×360	29.6	6	3780
AP37G1(115V/230V-60Hz)	280×155×190	4.8	440×290×360	29.6	6	3780
AP55G1(115V/60Hz)	315×190×210	8.3	315×190×202	/	1	2376
AP55G1(220V/60Hz)	315×190×210	8.3	315×190×202	/	1	2376
AP55G1(115V/230V-60Hz)	315×190×210	8.3	315×190×202	/	1	2376
AP75G1(115V/60Hz)	315×190×210	9.9	315×190×202	/	1	2376
AP75G1(220V/60Hz)	315×190×210	9.9	315×190×202	/	1	2376
AP75G1(115V/230V-60Hz)	315×190×210	9.9	315×190×202	/	1	2376

