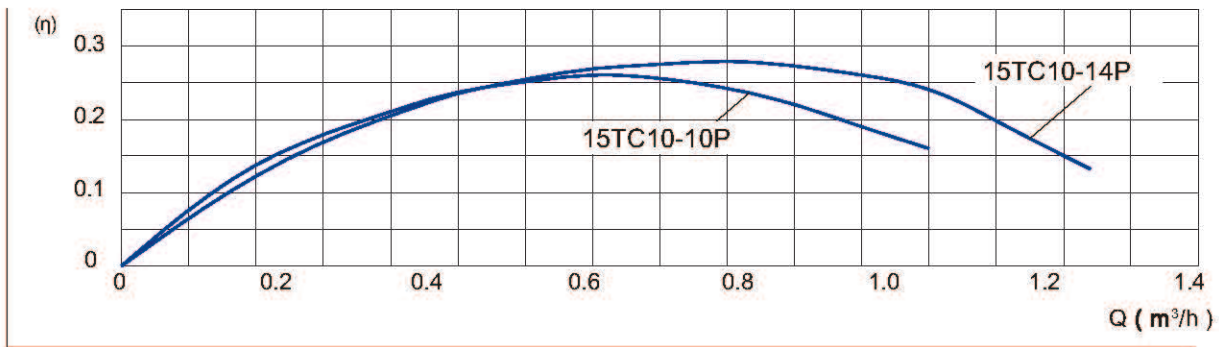
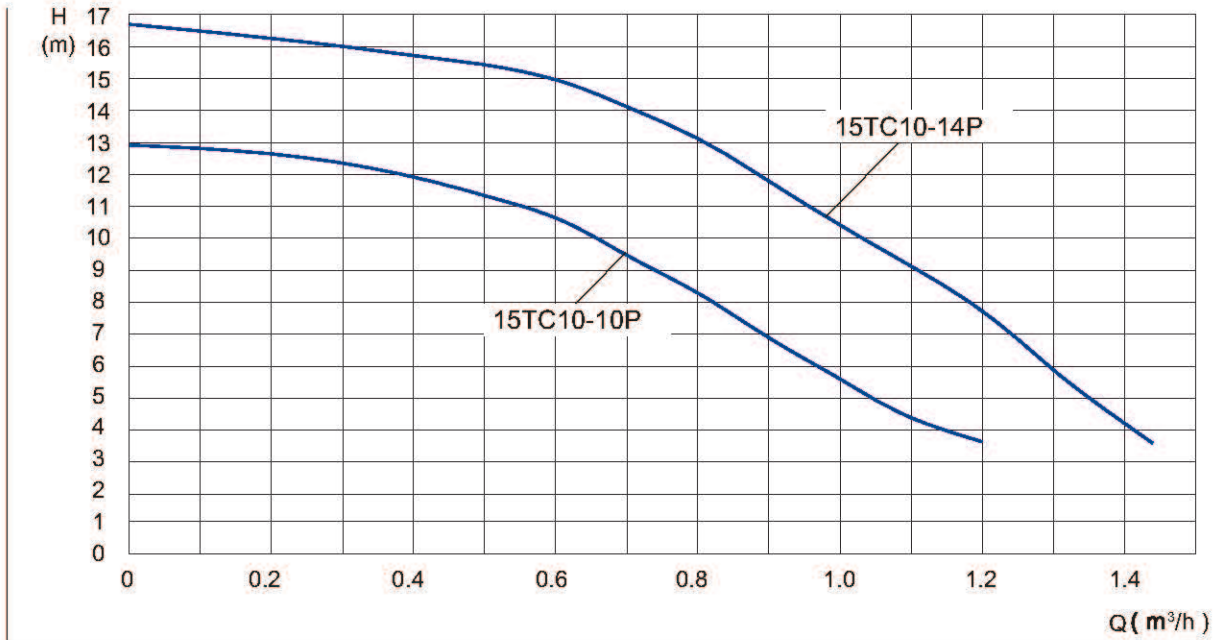
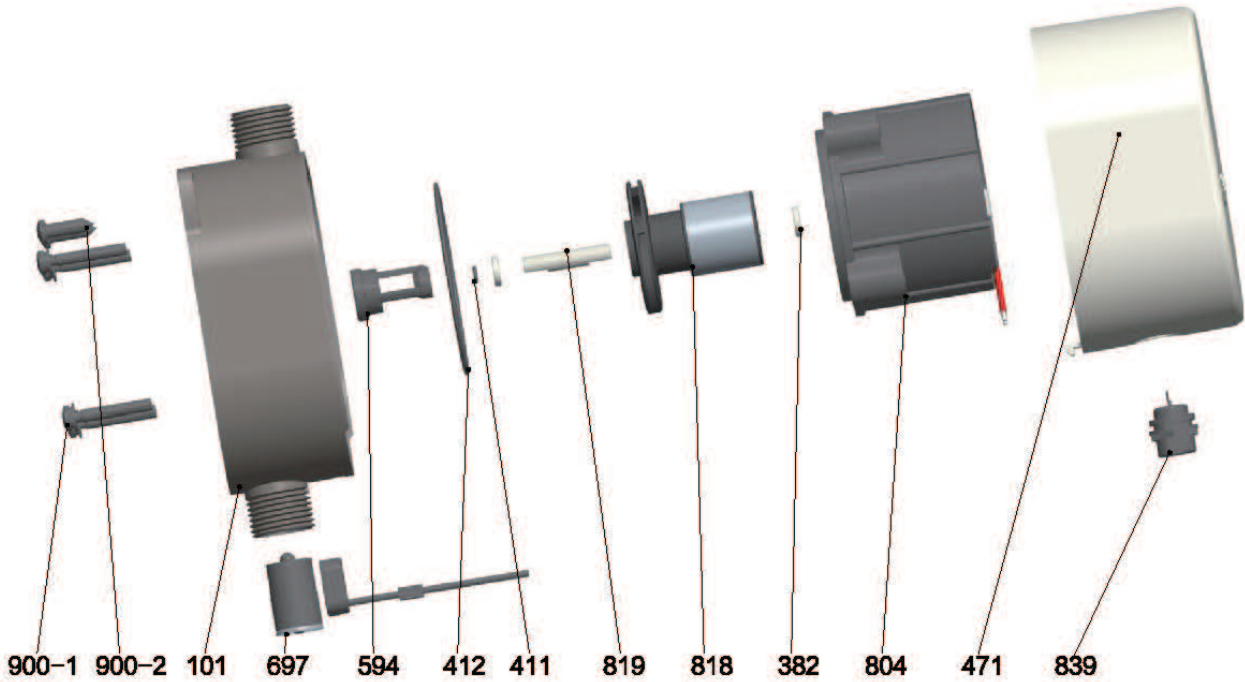


Performance Curve



Model	Speed	Input power P1(W)	Current(A)	Pipe Distance (mm)	Max. Head (m)	Whole Lift (m)	Max. flow (m³/h)	Inter Box		Outer Box		20" Loading Qty (pcs)	
								G.W. (kg)	Dim.(LxWxH)	PCS/CTN	Dim (LxWxH)		G.W. (kg)
15TC10-10P	1	72	2.7	15	12	10	10	1.1	180x145x115	12	465x370x250	14	**
15TC10-14P	1	100	2.5	15	16	14	10	1.2	180x145x115	12	465x370x250	15	**

**Components & Materials**



No.	Component	No.	Component
900-2	Self-tapping screw of cross-recessed conical head	594	Support bush
900-1	Flat head screw of cross-recess	471	Upper shell
839	Avocado plug	412	O-sealing ring
819	Shaft	411	Outer diameter of shock pad
818	Runner	382	Ceramic impeller
804	Turning and sealing motor	101	Pump body
697	Flow switch		

**Dimensions**

Model	Dim. (mm)			Unions Or Flange	N.W. (kg)
	A	B	C		
15TC10-10P	138	75	95	G1/2	0.7
15TC10-14P	138	75	95	G1/2	0.7

