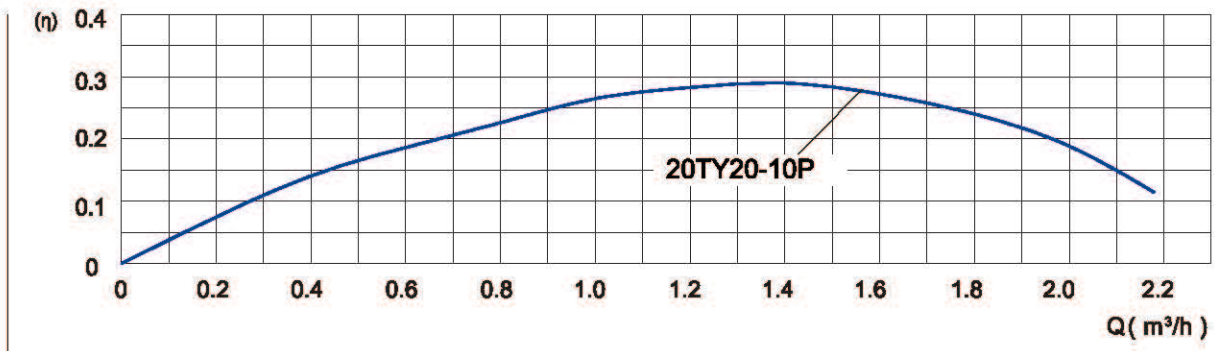
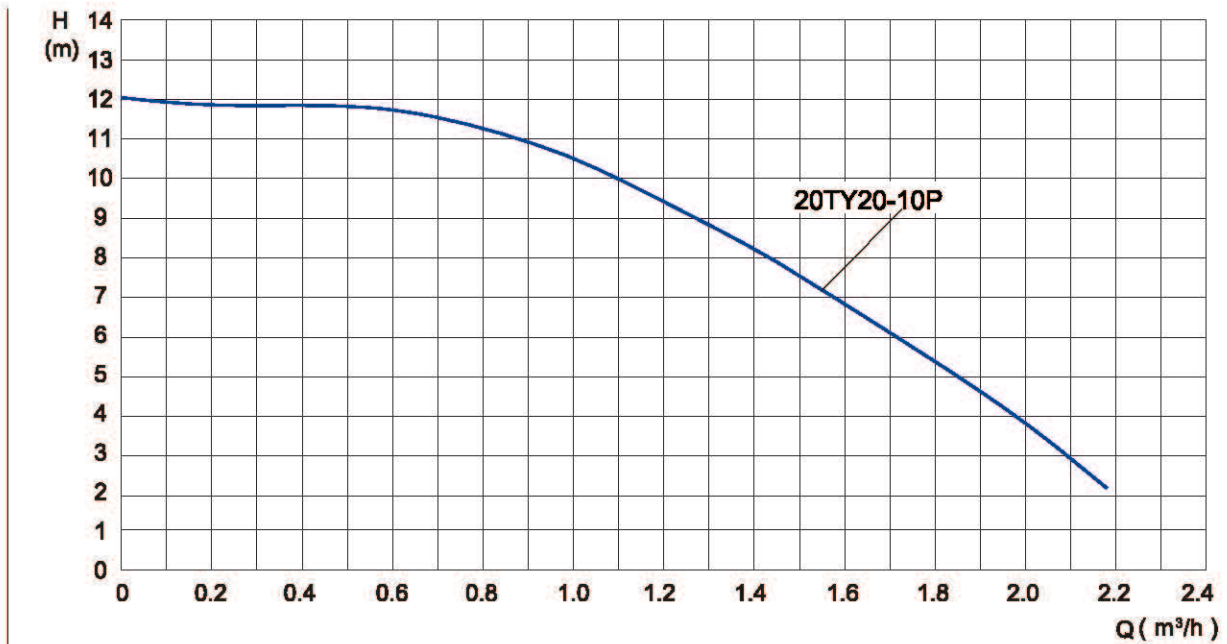
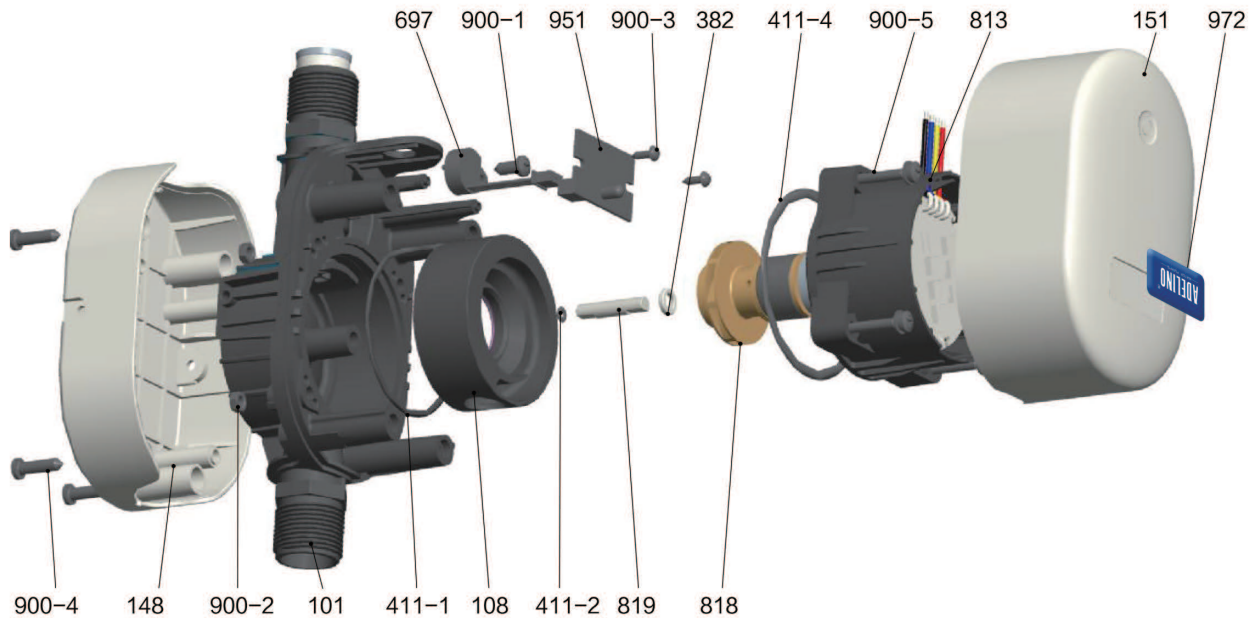


**Performance Curve**



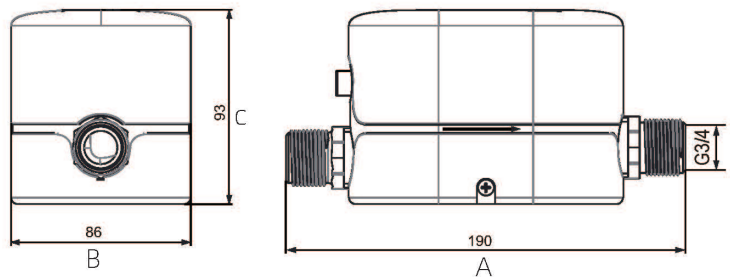
Model	Speed	Input power P1(W)	Current(A)	Pipe Distance (mm)	Max. Head (m)	Whole Lift (m)	Max. flow (m³/h)	Inter Box		Outer Box		20" Loading Qty (pcs)	
								G.W. (kg)	Dim.(LxWxH)	PCS/CTN	Dim (LxWxH)		G.W. (kg)
20TY20-10P	1	100	2.8	20	13	10	20	1.4	180x190x115	8	410x380x260	12	**

## Components & Materials



No.	Component	No.	Component
972	Tags of Shimge	697	Flow sensor component
951	Keyboard plate	411-4	O-sealing ring
900-5	Pan head screw group of cross recess	411-2	Outer diameter of shock pad
900-4	Self-tapping screw of cross recessed pan head	411-1	Seal ring of pump body
900-3	Self-tapping screw of cross recessed pan head	382	Ceramic chip
900-2	Hexagon nut, style 1	151	Upper cover
900-1	Self-tapping screw of cross recessed pan head	148	Base
819	Shaft	108	Pump core
818	Runner	101	External pump body
813	Filling and sealing stator		

## Dimensions



Model	Dim.(mm)			Unions Or Flange	N.W. (kg)
	A	B	C		
20TY20-10P	190	86	93	G3/4	0.8