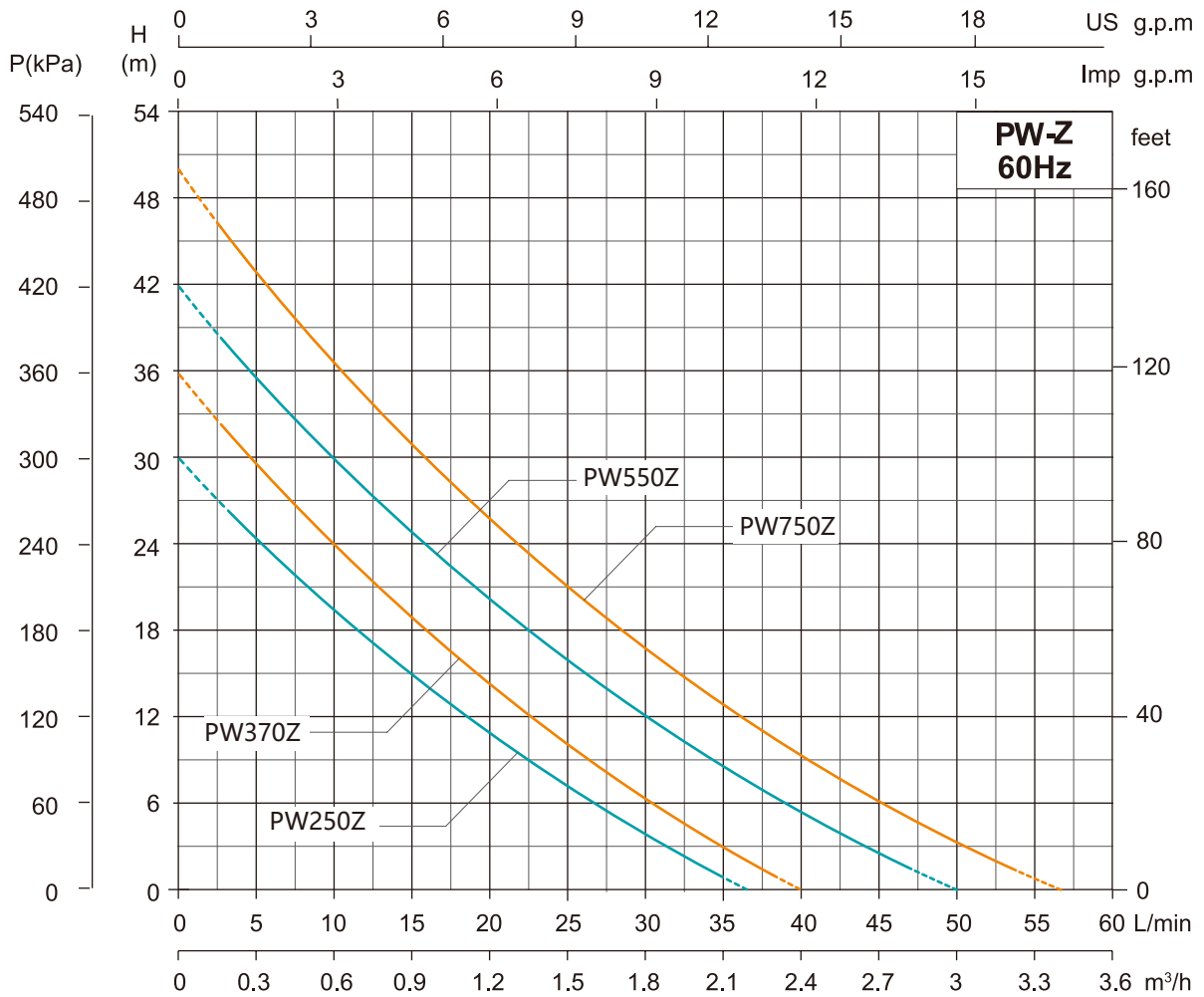
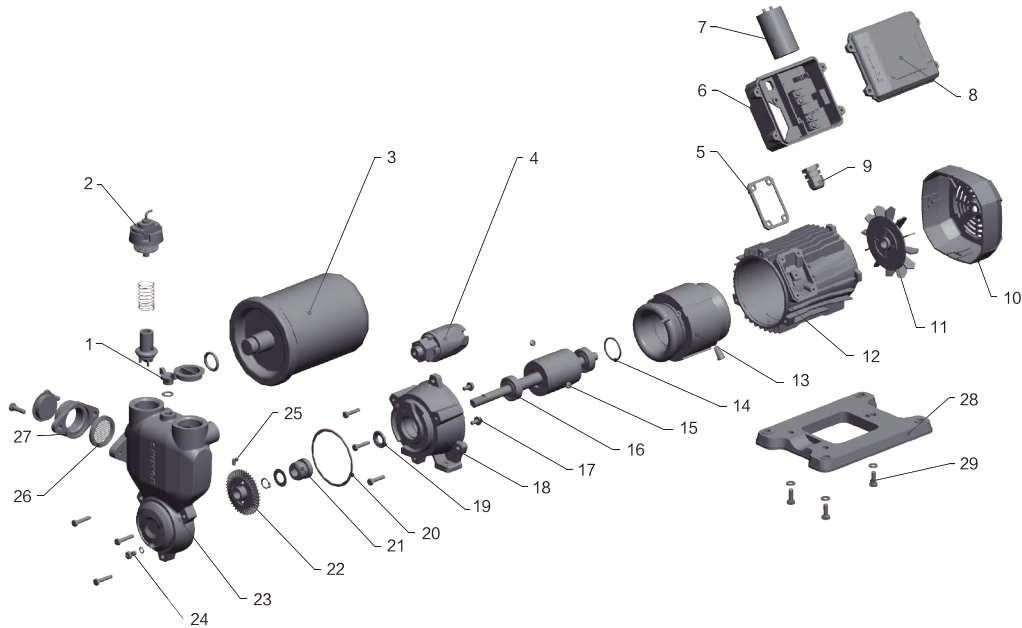


Performance Curve



Model	Power		Max. Flow (m³/h)	Max. Head (m)	Head Range (m)	Max. Suction (m)
	kW	HP				
PW250Z(220V-60Hz)	0.25	0.34	2.2	30	1-26	8
PW370Z(220V-60Hz)	0.37	0.5	2.4	36	1-32	8
PW550Z(220V-60Hz)	0.55	0.75	3.0	42	1.5-38	8
PW750Z(220V-60Hz)	0.75	1	3.4	50	1.5-46	8
PW250Z(110V-60Hz)	0.25	0.34	2.2	30	1-26	8
PW370Z(110V-60Hz)	0.37	0.5	2.4	36	1-32	8
PW550Z(110V-60Hz)	0.55	0.75	3.0	42	1.5-38	8
PW750Z(110V-60Hz)	0.75	1	3.4	50	1.5-46	8
PW250Z(110V/220V-60Hz)	0.25	0.34	2.2	30	1-26	8
PW370Z(110V/220V-60Hz)	0.37	0.5	2.4	36	1-32	8
PW550Z(110V/220V-60Hz)	0.55	0.75	3.0	42	1.5-38	8
PW750Z(110V/220V-60Hz)	0.75	1	3.4	50	1.5-46	8

Components & Materials



No.	Component	No.	Component	No.	Component
1	Water filling faucet	11	Fan	21	Mechanical seal
2	Flow switch	12	Motor shell	22	Impeller
3	Pressure tank	13	Stator core	23	Pump body
4	Pressure switch	14	Waved spring	24	Set screw
5	Robber gasket	15	Rotor	25	Drain screw
6	Controller	16	Bearing	26	Filter
7	Capacitor	17	Bolt	27	Inlet pipe
8	Terminal box cover	18	Coupling	28	Foundation
9	Cable locker	19	Water deflector	29	Bolt
10	Fan cover	20	O-ring		

No.	Model	PW250Z (110V-60Hz)	PW370Z (110V-60Hz)	PW550Z (110V-60Hz)	PW750Z (110V-60Hz)	PW250Z (220V-60Hz)	PW370Z (220V-60Hz)
1	Capacitor(μF)	25μF/250V	20μF/250V	30μF/250V	40μF/250V	10μF/450V	12μF/450V
2	Fore earing	6201-2RZ	6201-2RZ	6202-2RZ	6202-2RZ	6201-2RZ	6201-2RZ
3	Back bearing	6201-2RZ	6201-2RZ	6202-2RZ	6202-2RZ	6201-2RZ	6201-2RZ
4	Shaft extension	304+Steel 45#					
5	Mechanical Seal	301-12/21 B:A (PC) Φ26	301-12/21 B:A (PC) Φ26	301-12/21 B:A (PC) Φ26	301-12/21 B:A (PC) Φ26	301-12/21 B:A (PC) Φ26	301-12/21 B:A (PC) Φ26
		A: Graphite,B:Alumina ceramic,P:NBR,C:stainless steel(06Cr19Ni10)					
6	Motor shell	Aluminium					
7	Coupling	Cast iron					
8	Pump body	Cast iron					
9	Impeller	Brass					

No.	Model	PW550Z (220V-60Hz)	PW750Z (220V-60Hz)	PW250Z (110V/220V-60Hz)	PW370Z (110V/220V-60Hz)	PW550Z (110V/220V-60Hz)	PW750Z (110V/220V-60Hz)
1	Capacitor(μF)	15μF/450V	20μF/450V	15μF/250V	15μF/250V	35μF/250V	40μF/250V
2	Fore earing	6202-2RZ	6202-2RZ	6201-2RZ	6201-2RZ	6202-2RZ	6202-2RZ
3	Back bearing	6202-2RZ	6202-2RZ	6201-2RZ	6201-2RZ	6202-2RZ	6202-2RZ
4	Shaft extension	304+Steel 45#					
5	Mechanical Seal	301-12/21 B:A (PC) Φ26	301-12/21 B:A (PC) Φ26	301-12/21 B:A (PC) Φ26	301-12/21 B:A (PC) Φ26	301-12/21 B:A (PC) Φ26	301-12/21 B:A (PC) Φ26
		A: Graphite,B:Alumina ceramic,P:NBR,C:stainless steel(06Cr19Ni10)					
6	Motor shell	Aluminium					
7	Coupling	Cast iron					
8	Pump body	Cast iron					
9	Impeller	Brass					